

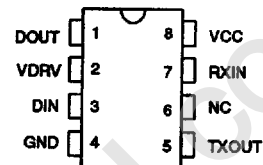
DALLAS
SEMICONDUCTOR

DS1275
Line-Powered RS-232
Transceiver Chip
T-75-45-05

FEATURES

- Low-power serial transmitter/receiver for battery-backed systems
- Transmitter steals power from receive signal line to save power
- Ultra-low static current, even when connected to RS-232-C port
- Variable transmitter level from +5 to +12 volts
- Compatible with RS-232-C signals
- Available in 8-pin, 150-mil wide SOIC package (DS1275S)
- Low-power CMOS

PIN ASSIGNMENT



DS1275 8-Pin DIP (300 MIL)
See Mech. Drawing - Sect. 16, Pg. 1

PIN DESCRIPTION

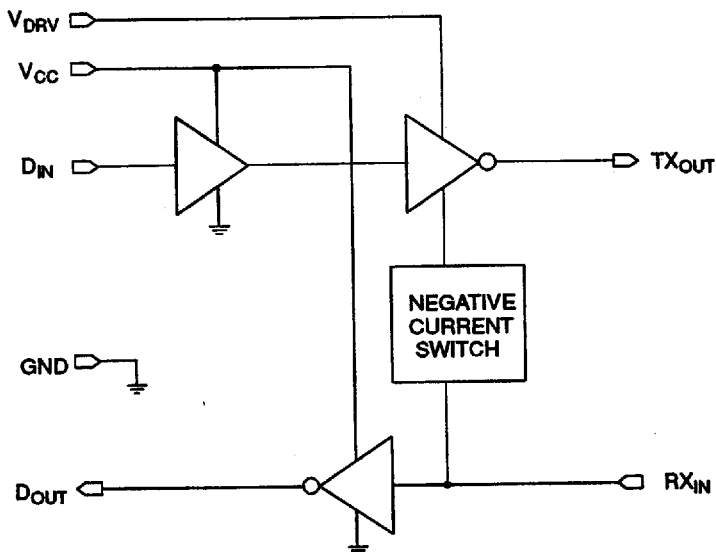
- D_{OUT}** - Digital data out
V_{DRV} - Transmit driver +V
D_{IN} - Digital data in
GND - System ground (0V)
TX_{OUT} - Transmit RS-232 out
NC - No connection
RX_{IN} - Receive RS-232 in
V_{CC} - System logic supply (+5V)

DESCRIPTION

The DS1275 Line-Powered RS-232 Transceiver Chip is a CMOS device that provides a low-cost, very low-power interface to RS-232 serial ports. The receiver input translates RS-232 signal levels to common CMOS/TTL levels. The transmitter employs a unique circuit which steals current from the receive RS-232 signal when that signal is in a negative state (marking). Since most serial communication ports remain in a negative state statical-

ly, using the receive signal for negative power greatly reduces the DS1275's static power consumption. This feature is especially important for battery-powered systems such as laptop computers, remote sensors, and portable medical instruments. During an actual communication session, the DS1275's transmitter will use system power (5-12 volts) for positive transitions while still employing the receive signal for negative transitions.

T-75-45-05



OPERATION

Designed for the unique requirements of battery-backed systems, the DS1275 provides a low-power half-duplex interface to an RS-232 serial port. Typically, a designer must use an RS-232 device which uses system power during both negative and positive transitions of the transmit signal to the RS-232 port. If the connector to the RS-232 port is left connected for an appreciable time after the communication session has ended, power will statically flow into that port, draining the battery capacity. The DS1275 eliminates this static current drain by stealing current from the receive line (RX_{IN}) of the RS-232 port when that line is at a negative level (marking). Since most asynchronous communication over an RS-232 connection typically remains in a marking state when data is not being sent, the DS1275 will not consume system power in this condition. System power would only be used when positive-going transitions are needed on the transmit RS-232 output (TX_{OUT}) when data is sent. However, since synchronous communication sessions typically exhibit a very low duty-cycle, overall system power consumption remains low.

RECEIVER SECTION

The RX_{IN} pin is the receive input for an RS-232 signal whose levels can range from ± 3 to ± 15 volts. A nega-

tive data signal is called a mark while a positive data signal is called a space. These signals are inverted and then level-shifted to normal +5 volt CMOS/TTL logic levels. The logic output associated with RX_{IN} is D_{OUT} which swings from $+V_{CC}$ to ground. Therefore, a mark on RX_{IN} produces a logic 1 at D_{OUT} ; a space produces a logic 0.

The input threshold of RX_{IN} is typically around 1.8 volts with 500 millivolts of hysteresis to improve noise rejection. Therefore, an input positive-going signal must exceed 1.8 volts to cause D_{OUT} to switch states. A negative-going signal must now be lower than 1.3 volts (typically) to cause D_{OUT} to switch again. An open on RX_{IN} is interpreted as a mark, producing a logic 1 at D_{OUT} .

TRANSMITTER SECTION

D_{IN} is the CMOS/TTL-compatible input for digital data from the user system. A logic 1 at D_{IN} produces a mark (negative data signal) at TX_{OUT} while a logic 0 produces a space (positive data signal). As mentioned earlier, the transmitter section employs a unique driver design that uses the RX_{IN} line for swinging to negative levels. The RX_{IN} line must be in a marking or idle state to take advantage of this design; if RX_{IN} is in a spacing state,

10

DALLAS SEMICONDUCTOR CORP 50E D ■ 2614130 0005478 J ■ DAL

TX_{OUT} will only swing to ground. When TX_{OUT} needs to transition to a positive level, it uses the V_{DRV} power pin for this level. V_{DRV} can be a voltage supply between 5 to 12 volts, and in many situations it can be tied directly to the +5 volt V_{CC} supply. *It is important to note that V_{DRV} must be greater than or equal to V_{CC} at all times.*

The voltage range on V_{DRV} permits the use of a 9-volt battery in order to provide a higher voltage level when TX_{OUT} is in a space state. When V_{CC} is shut off to the DS1275 and V_{DRV} is still powered (as might happen in a battery-backed condition), only a small leakage current (about 50-100 nA) will be drawn. If TX_{OUT} is loaded during such a condition, V_{DRV} will draw current only if RX_{IN} is not in a negative state. During normal operation ($V_{CC}=5$ volts), V_{DRV} will draw less than 2 μ A when TX_{OUT} is marking. Of course, when TX_{OUT} is spacing, V_{DRV} will draw substantially more current—about 3 mA depending upon its voltage and the impedance that TX_{OUT} sees.

The TX_{OUT} output is slow-rate limited to less than 30 volts/us in accordance with RS-232 specifications. In the event TX_{OUT} should be inadvertently shorted to ground, internal current-limiting circuitry prevents damage, even if continuously shorted.

RS-232 COMPATIBILITY

The intent of the DS1275 is not so much to meet all the requirements of the RS-232 specification as to offer a low-power solution that will work with most RS-232 ports with a connector length of less than 10 feet. As a prime example, the DS1275 will not meet the RS-232 requirement that the signal levels be at least ± 5 volts minimum when terminated by a 3K ohm load and $V_{DRV}=+5$ volts. Typically a voltage of 4 volts will be present at TX_{OUT} when spacing. However, since most RS-232 receivers will correctly interpret any voltage over 2 volts as a space, there will be no problem transmitting data.

APPLICATIONS INFORMATION

The DS1275 is designed as a low-cost, RS-232-C interface expressly tailored for the unique requirements of battery-operated handheld products. As shown in the electrical specifications, the DS1275 draws exceptionally low operating and static current. During normal operation when data from the handheld system is sent from the TX_{OUT} output, the DS1275 only draws significant V_{DRV} current when TX_{OUT} transitions positively (spacing). This current flows primarily into the RS-232

receiver's 3-7K ohm load at the other end of the attaching cable. When TX_{OUT} is marking (a negative data signal), the V_{DRV} current falls dramatically since the negative voltage is provided by the transmit signal from the other end of the cable. This represents a large reduction in overall operating current, since typical RS-232 interface chips use charge-pump circuits to establish both positive and negative levels at the transmit driver output.

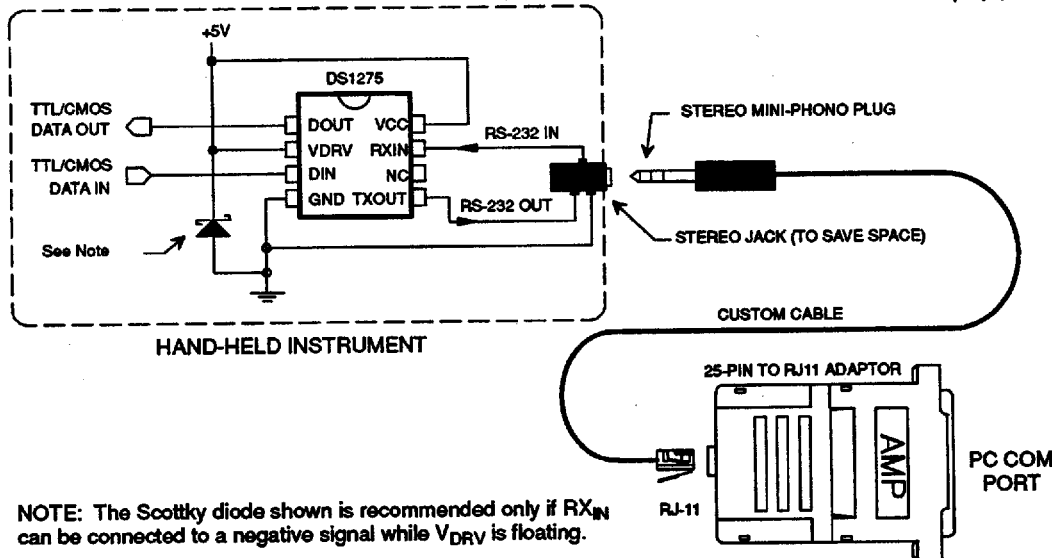
To obtain the lowest power consumption from the DS1275, observe the following guidelines. First, to minimize V_{DRV} current when connected to an RS-232 port, always maintain D_{IN} at a logic 1 when data is not being transmitted (idle state). This will force TX_{OUT} into the marking state, minimizing V_{DRV} current. Second, V_{DRV} current will drop to less than 100 nA when V_{CC} is grounded. Therefore, if V_{DRV} is tied directly to the system battery, the logic +5 volts can be turned off to achieve the lowest possible power state.

FULL-DUPLEX OPERATION

The DS1275 is intended primarily for half-duplex operation; that is, RX_{IN} should remain idle in the marking state when transmitting data out TX_{OUT} and visa versa. However, the part can be operated full-duplex with most RS-232-C serial ports since signals swinging between 0 and +5V will usually be correctly interpreted by an RS-232-C receiver device. The 5-volt swing occurs when TX_{OUT} attempts to swing negative while RX_{IN} is at a positive voltage, which turns on an internal weak pull-down to ground for the TX_{OUT} driver's negative reference. So, transmit mark signals at TX_{OUT} may have voltage jumps from some negative value (corresponding to RX_{IN} marking) to approximately ground. One possible problem that may occur in this case is if the receiver at the other end requires a negative voltage for recognizing a mark. In this situation, the full-duplex circuit shown in Figure 3 can be used as an alternative. The 22 μ F capacitor forms a negative-charge reservoir; consequently, when the TXD line is spacing (positive), TX_{OUT} still has a negative source available for a time period determined by the capacitor and the load resistance at the other end (3-7K ohms). This circuit was tested from 150-19,200 bps with error-free operation using a SN75154 Quad Line Receiver as the receiver for the TX_{OUT} signal. Note that the SN75154 can have a marking input threshold below ground; hence there is the need for TX_{OUT} to swing both positive and negative in full-duplex operation with this device.

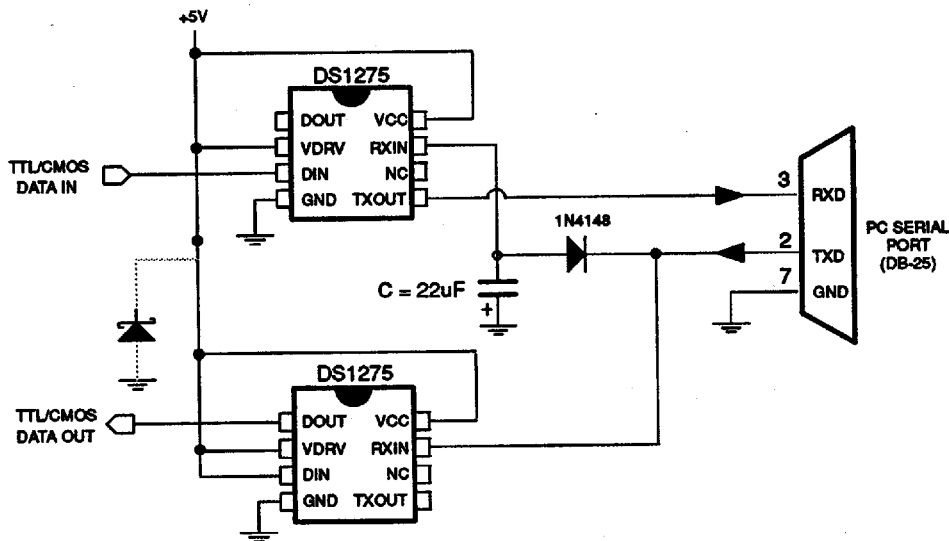
DALLAS SEMICONDUCTOR CORP 50E D ■ 2614130 0005479 3 ■ DAL
HANDHELD RS-232-C APPLICATION USING A STEREO MINI-JACK Figure 2

T-75-45-05



NOTE: The Scottky diode shown is recommended only if RX_{IN} can be connected to a negative signal while V_{DRV} is floating.

FULL-DUPLEX CIRCUIT USING NEGATIVE-CHARGE STORAGE Figure 3



NOTE:

The capacitor stores negative charge whenever the TXD signal from the PC serial port is in a marking data state (a negative voltage that is typically -10 volts). The top DS1275's TX_{OUT} uses this negative charge reservoir when it is in a marking state. The capacitor will discharge to 0 volts when the TXD line is spacing (and TX_{OUT} is still marking) at a time constant determined by its value and the value of the load resistance reflected back to TX_{OUT}. However, when TXD is marking, the capacitor will quickly charge back to -10 volts. Note that TXD remains in a marking state when idle, which improves the performance of this circuit.

10

DALLAS SEMICONDUCTOR CORP 50E D ■ 2614130 0005480 T ■ DAL

LATCHUP PROTECTION

In most cases the DS1275 offers a high level of ESD and latchup protection. However, latchup can occur if V_{DRV} is left floating (high impedance) while a negative signal is attached to RX_{IN} . One possible scenario for this is as follows: if the handheld device is powered off with a FET switch, floating V_{DRV} , and at the same time the user still

has the the RS-232-C port connected. In order to eliminate this latchup potential, a Schottky diode from V_{DRV} to ground is recommended as shown in Figure 2. The lower clamp voltage of the Schottky (300 mV) is required to prevent an internal silicon diode on the DS1275 from turning on, which precipitates the latchup condition.

ABSOLUTE MAXIMUM RATINGS*

V_{CC}	-0.3 to +7 volts
V_{DRV}	-0.3 to +13 volts
RX_{IN}	± 15 volts
D_{IN}	-0.3 to $V_{CC} + 0.3$ volts
TX_{OUT}	± 15 volts
D_{OUT}	-0.3 to $V_{CC} + 0.3$ volts
Storage Temperature	-55° to + 125°C
Operating Temperature	0° to 70°C

* This is a stress rating only and functional operation of the device at these or any other conditions above those indicated in the operation sections of this specification is not implied. Exposure to absolute maximum rating conditions for extended periods of time may affect reliability.

RECOMMENDED DC OPERATING CONDITIONS

PARAMETER	SYM	MIN	TYP	MAX	UNITS	NOTES
Logic Supply	V_{CC}	4.5	5.0	5.5	volts	1
Transmit Driver Supply	V_{DRV}	4.5	5-12	13.0	volts	1
Logic 1 Input	V_{IH}	2.0		$V_{CC}+0.3$	volts	2
Logic 0 Input	V_{IL}	-0.3		+ 0.8	volts	
RS-232 Input Range (RX_{IN})	V_{RS}	-15		+15	volts	
Dynamic Supply Current $D_{IN} = V_{CC}$	I_{DRV1}		0.1	5.0	mA	3
	I_{CC1}		0.5	5.0	mA	
$D_{IN} = GND$	I_{DRV1}		3.8	5.0	mA	
	I_{CC1}		0.5	5.0	mA	
Static Supply Current $D_{IN} = V_{CC}$	I_{DRV2}		1.5	15.0	μA	4
	I_{CC2}		10.0	15.0	μA	
$D_{IN} = GND$	I_{DRV2}		3.8	5.0	mA	
	I_{CC2}		10.0	30.0	μA	
Driver Leakage Current ($V_{CC} = 0V$)	I_{DRV3}		0.05	1.0	μA	5

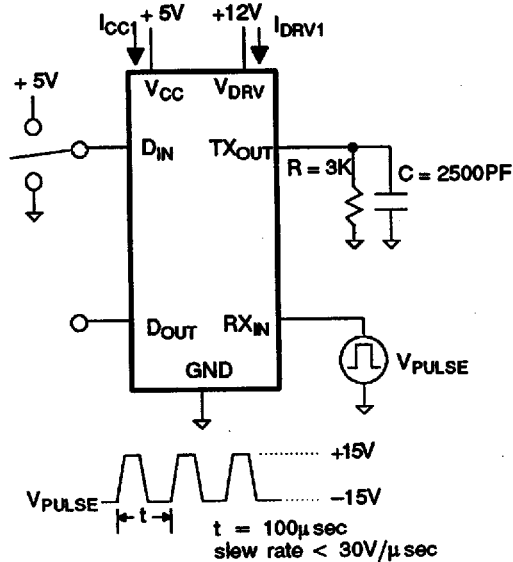
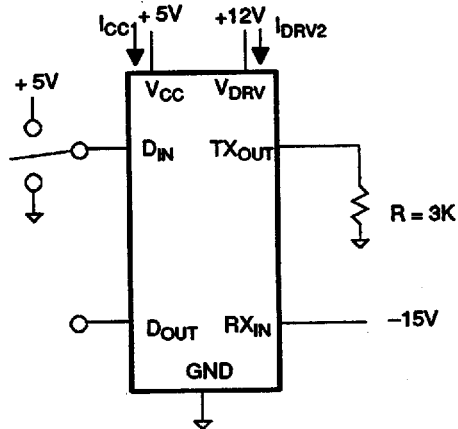
DC ELECTRICAL CHARACTERISTICS

(0° to 70°C, $V_{CC} = V_{DRV} = 5V \pm 10\%$)

PARAMETER	SYM	MIN	TYP	MAX	UNITS	NOTES
TX _{OUT} Level High	V _{OTXH}	3.5	4.0	4.5	volts	6
TX _{OUT} Level Low	V _{OTXL}	-8.5	-9.0		volts	7
TX _{OUT} Short Circuit Current	I _{SC}		+60	+85	mA	T-75-45-05
TX _{OUT} Output Slew Rate	I _{SR}			30	V/μs	
Propagation Delay	t _{PD}		5		μs	8
RX _{IN} Input Threshold Low	V _{TL}	0.8	1.2	1.6	volts	
RX _{IN} Input Threshold High	V _{TH}	1.6	2.0	2.4	volts	
RX _{IN} Threshold Hysteresis	V _{HYS}	0.5	0.8		volts	9
D _{OUT} Output Current @ 2.4 V	I _{OH}	-1.0			mA	
D _{OUT} Output Current @ 0.4 V	I _{OL}			3.2	mA	

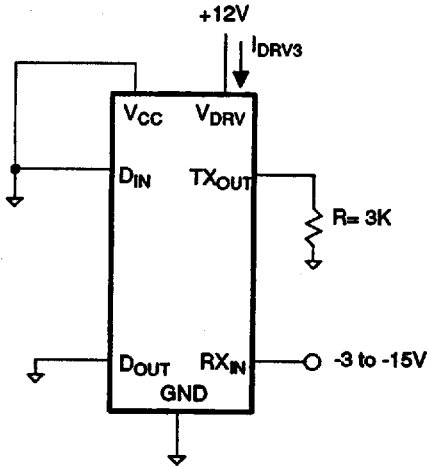
NOTES:

1. V_{DRV} must be greater than or equal to V_{CC} .
2. $V_{CC} = V_{DRV} = 5V \pm 10\%$.
3. See test circuit in Figure 4.
4. See test circuit in Figure 5.
5. See test circuit in Figure 6.
6. $D_{IN} = V_L$ and TX_{OUT} loaded by 3K ohms to ground.
7. $D_{IN} = V_{IH}$, RX_{IN} = -10 volts and TX_{OUT} loaded by 3K ohms to ground.
8. D_{IN} to TX_{OUT} - see Figure 7.
9. $V_{HYS} = V_{TH} - V_{TL}$.

DYNAMIC OPERATING CURRENT
TEST CIRCUIT Figure 4STATIC OPERATING CURRENT
TEST CIRCUIT Figure 5

10

DALLAS SEMICONDUCTOR CORP 50E D ■ 2614130 0005482 3 ■ DAL
DRIVER LEAKAGE TEST CIRCUIT Figure 6



PROPAGATION DELAY TEST CIRCUIT Figure 7

